

Four Fundamental Values of NIX.

C Challenging

"NIX is always with us."
"NIX never turns back, no matter how hard the challenge is."
The challenge for NIX is to meet the expectations expressed by those comments.

O Original

"NIX will bring something new."
"We are waiting for creative products that meet the needs of industry."
NIX responds to the encouragement with products full of new ideas.

S Speedy

"NIX responds by the next day, whenever and whatever the trouble is."
"NIX sells products and provides after-sales service."
These are the evaluations we seek with our fast, accurate service.

Q High Quality

"We can count on NIX."
"We can rely on NIX quality."
Customer satisfaction drives us to seek further improvements in quality and features.

A complete proprietary system from development and design to production.
NIX's one-stop solution for customers.



Headquarters



Nagoya Office



Osaka Office



R&D center research-and-development



Global Production Management HQ



NIX OF AMERICA



NIX OF HONG KONG LIMITED



NIX OF ZHUHAI PRECISION PRODUCTS LIMITED



NIX OF SHANGHAI LIMITED



NIX (THAILAND) LTD.

NIX, INC.

Global Production Management Headquarters

2-23-3 Nishihashimoto, Midori-ku, Sagami-hara, Kanagawa prefecture 252-0131, Japan
Tel: +81-42-779-9129 Fax: +81-42-773-9963

Headquarters

2-3-3 Minatomirai, Nishi-ku, Yokohama 220-6108, Japan
Tel: +81-45-221-2001 Fax: +81-45-221-1230

Nagoya Office

6F No.2 Chigusa Bldg., 3-chome 15-31 Aoi, Higashi-ku, Nagoya-shi,
Aichi prefecture 461-0004, Japan
Tel: +81-52-937-7301 Fax: +81-52-937-7319

Osaka Office

4F No.2 Astro Shin-Osaka Bldg., 6-1-3 Nishinakajima, Yodogawa-ku, Osaka-shi 532-0011, Japan
Tel: +81-6-6305-0451 Fax: +81-6-6308-4776

NIX OF AMERICA

2055, Junction Ave, Suite 230, San Jose, CA 95131
Tel: +1-408-321-8286 Fax: +1-408-428-9376

NIX OF HONG KONG LIMITED

Fat C, 20/F, Young Ya Ind. Bldg., 381-389 Sha Tsui Road, Tsuen Wan, New Territories, Hong Kong
Tel: +852-3428-8309 Fax: +852-3428-8319

NIX OF ZHUHAI PRECISION PRODUCTS LIMITED

Yashi Electronics Factory #3, Liangang Industrial Park, Hongqi Town, Zhuhai,
Guangdong Province, China

NIX OF SHANGHAI LIMITED

Room 2715, Block B, Zhenhua Enterprise Plaza, No. 3261 Dongfang Road, Pudong, Shanghai, China
Tel: +86-21-5018-7680 Fax: +86-21-5017-3295

NIX (THAILAND) LTD.

13th Floor, BB Building, 54 Sukhumvit 21 Road, Klongtoey-Nua, Wattana, Bangkok 10110 Thailand
Tel: +66-2-261-3931 Fax: +66-2-261-3932

<http://www.nix.co.jp>

The website automatic labeling.
NAVI is now available for focused expertise in printed board traceability.
<http://www.labelnix.com>

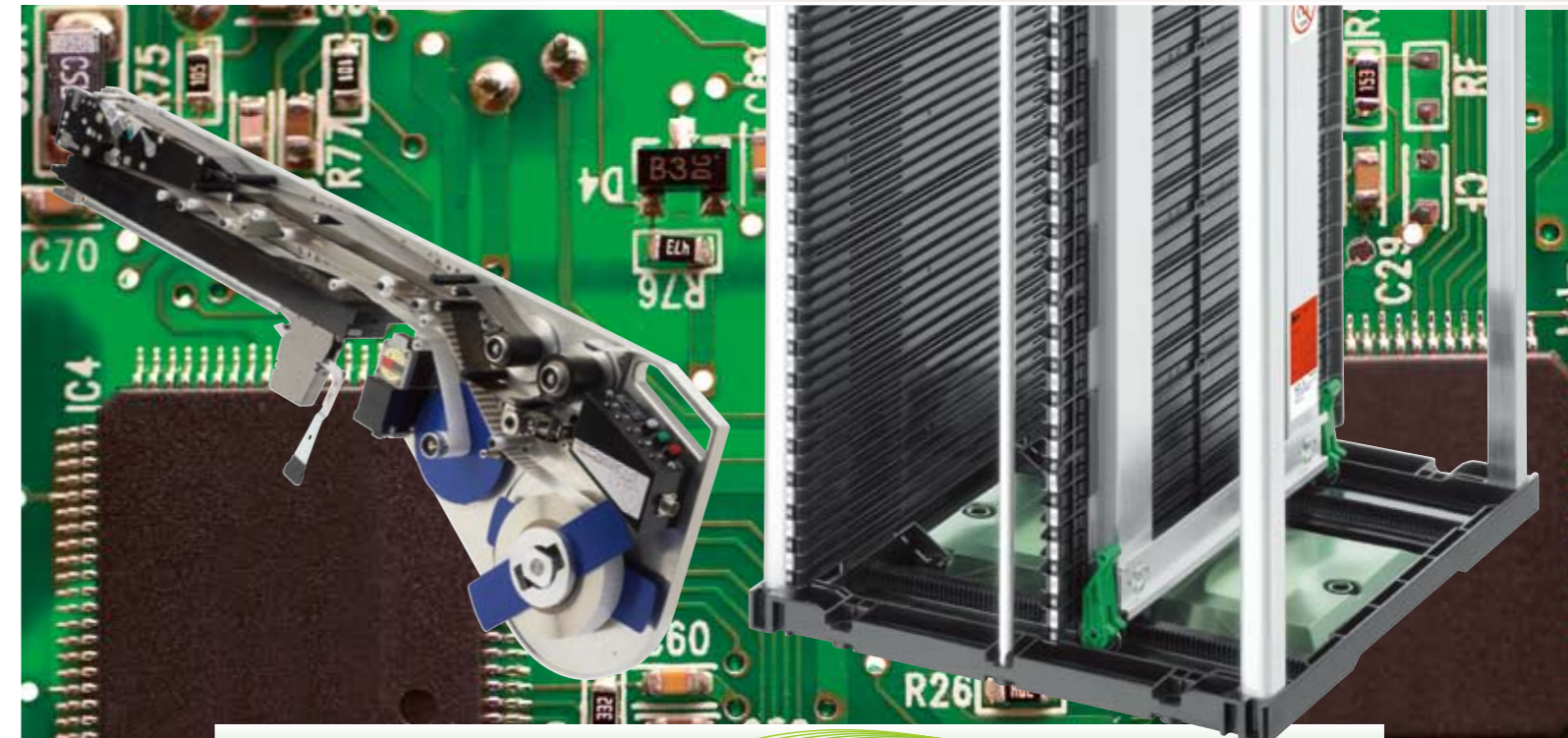
* Windows is a registered trademark of Microsoft Corporation. * All brand names and product names are registered trademarks of their respective companies.
* Descriptions are subject to change without notice. * Production photographs may differ from the actual products due to printing accuracy.

Printed in Japan. Mar. 2018

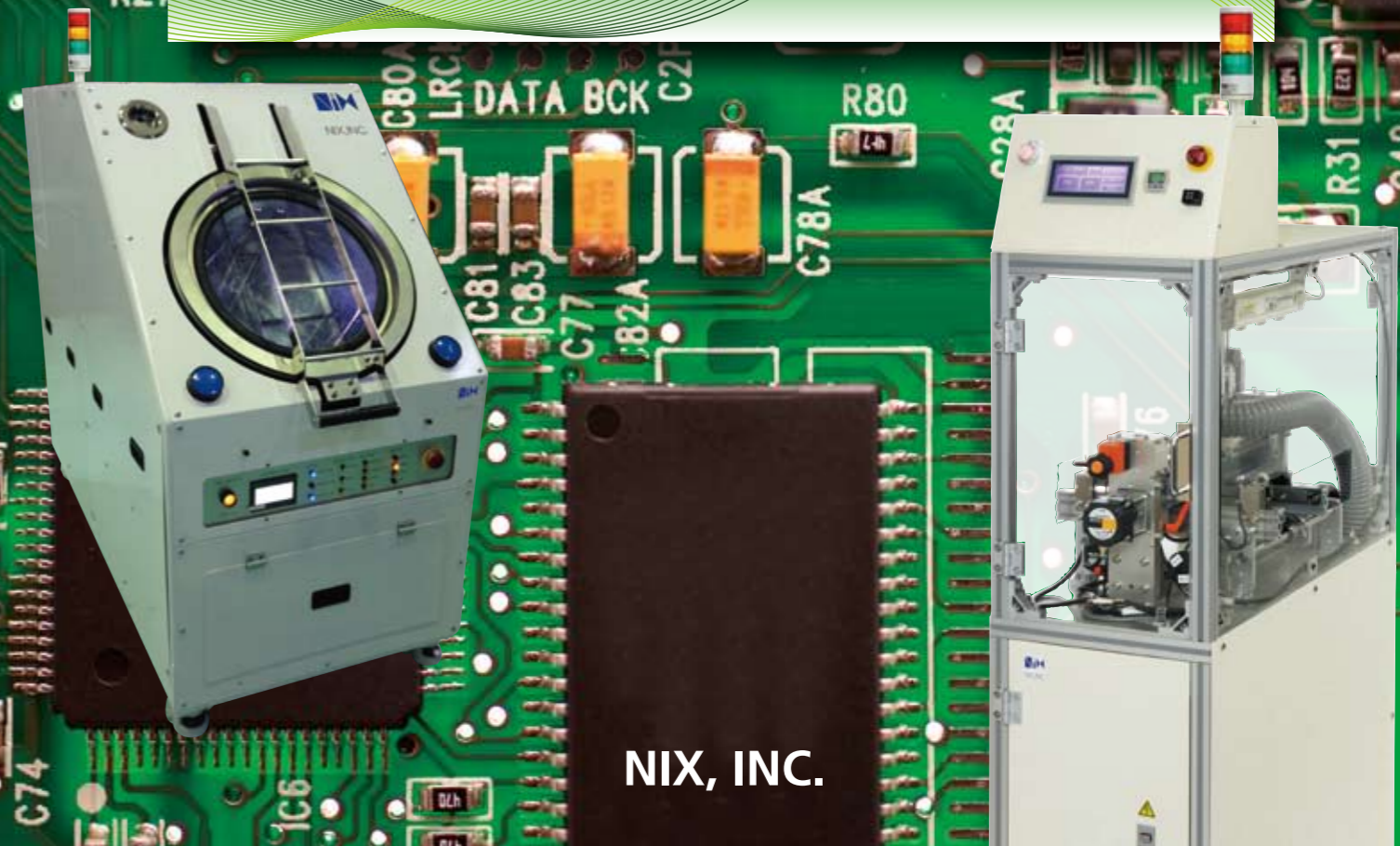


NIX, INC.

NIX PCB SOLUTION GUIDE



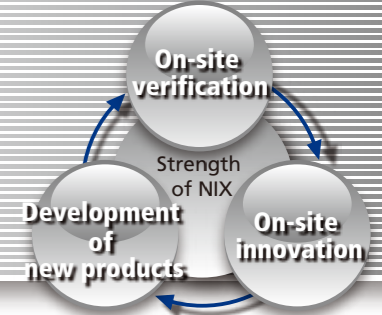
NIX is the best partner for improving your factory



NIX, INC.

35 years of experience

Our innovative products created cooperating with customers improve their production process and resolve their problems.



Nikko-Rack™ Magazine Rack **Printed Board Cleaner**



Joint Tape
To connect tapes for mounting components

Carrier Tape Tray NCAJ-SP
It is easy to adjust the width of tray for both carrier tape and emboss tape.

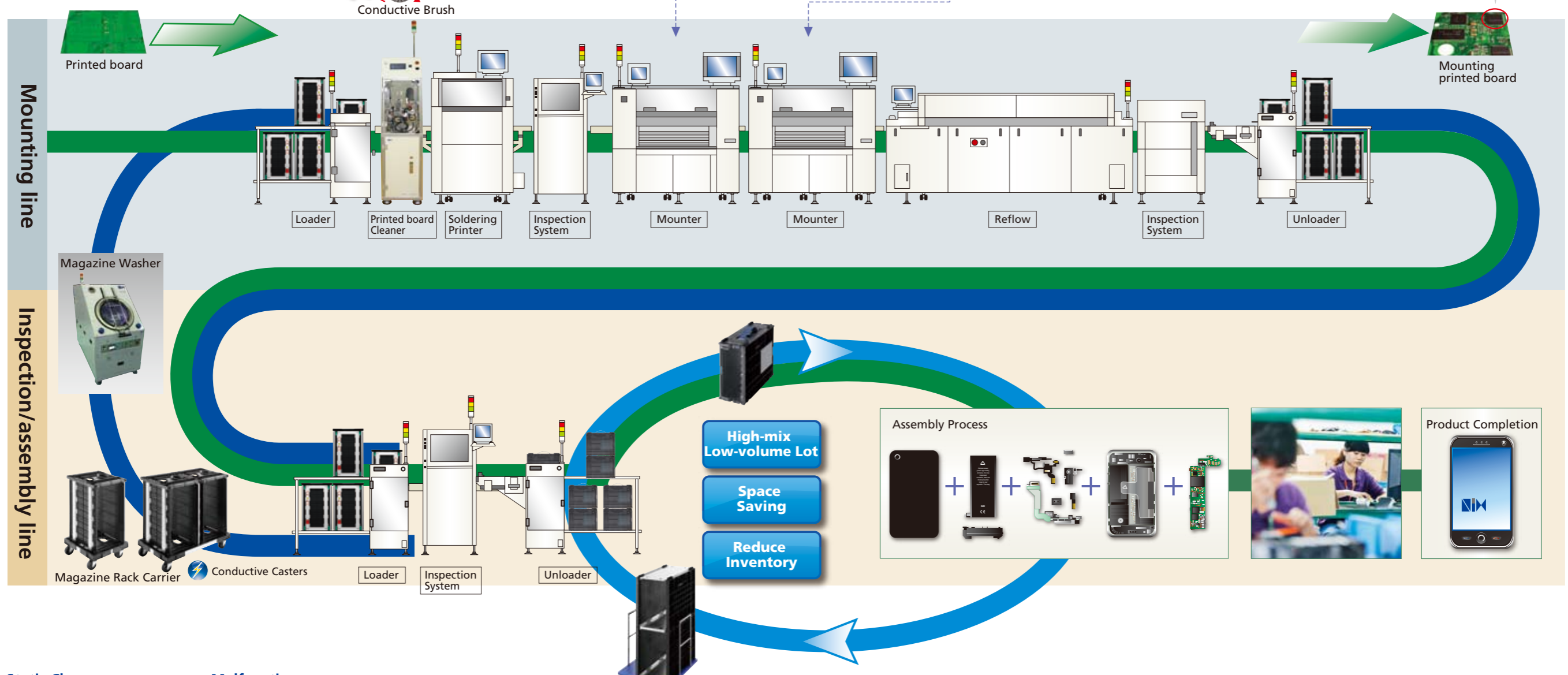
Label Automatic Feeder



For semi-conductor production process

We will develop in accordance with customer's needs.

- Wafer storage rack
- Wafer production system fixture
- Wafer tip inspection system fixture



Smart Storage Rack



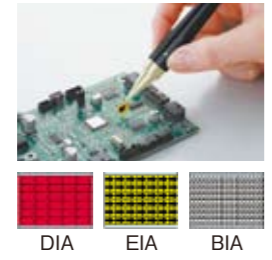
Customized Rack



Static Charge Measure PET Label



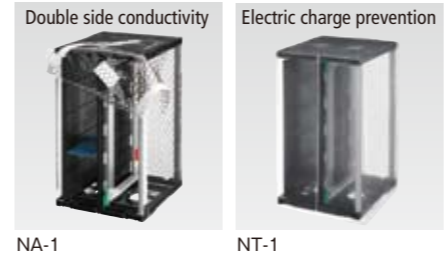
Malfunction Indicator Mark



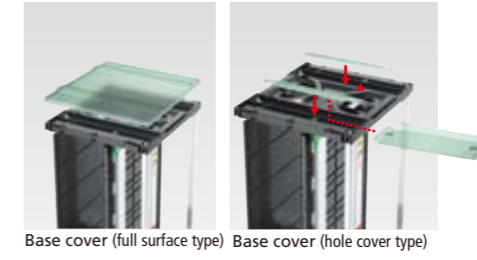
Ko-Rack



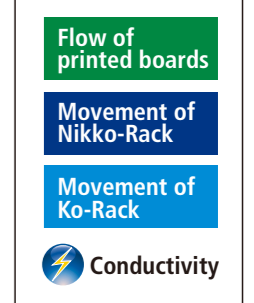
Dust Cover



Base Cover



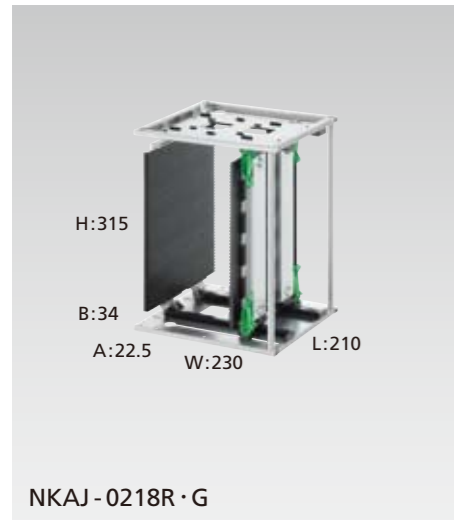
Slot Stopper



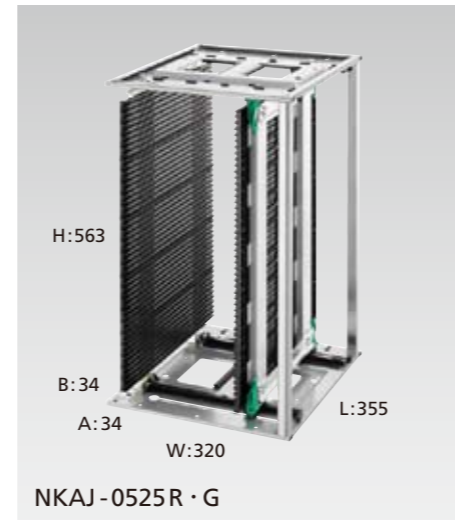
The world top brand of Magazine Racks: Nikko-Rack™ series

Flexibly offering ideas and designs of custom products
*Please refer to page 6

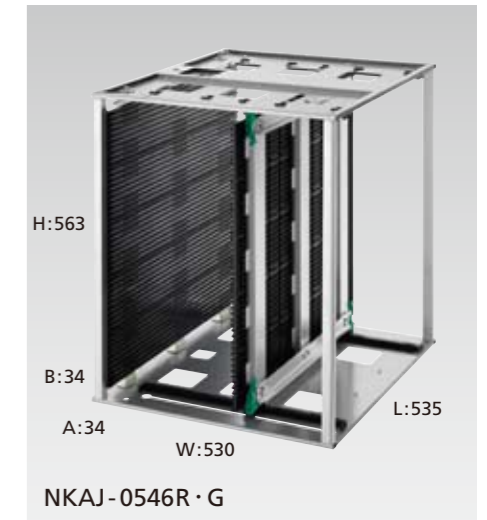
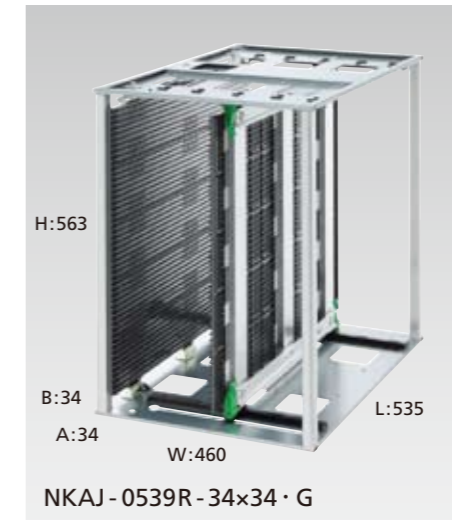
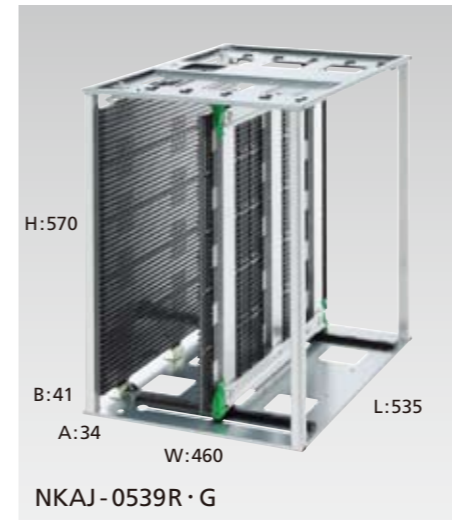
S size



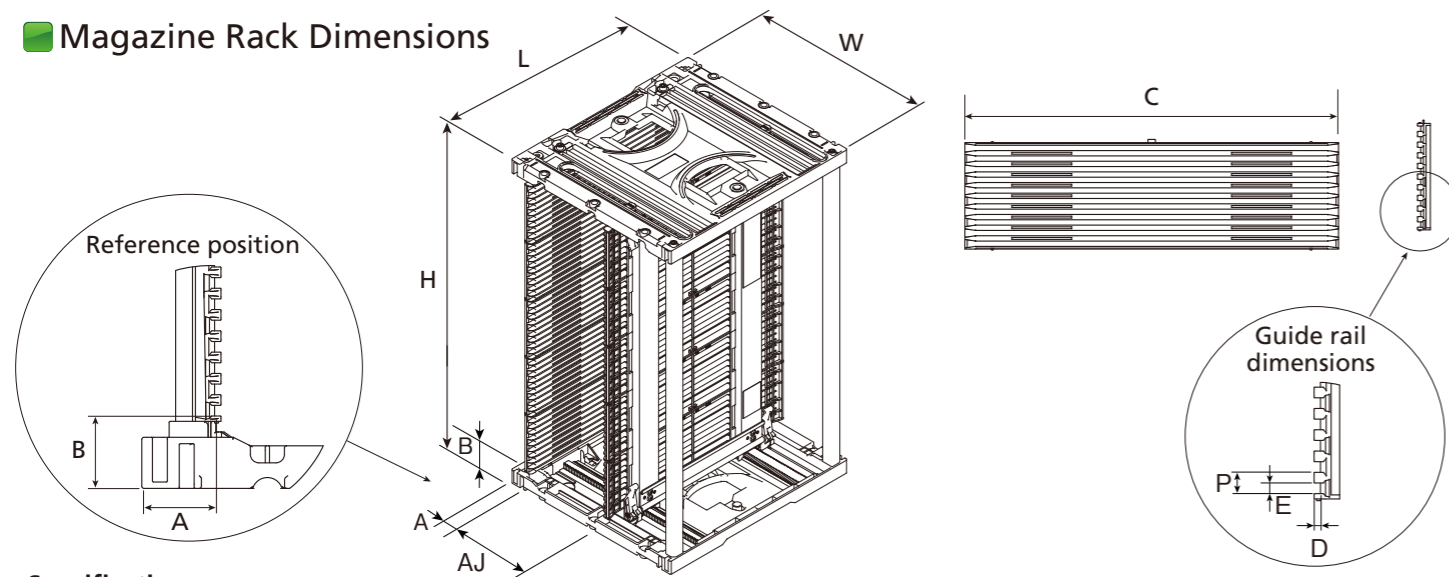
M size



L size



Magazine Rack Dimensions



Specifications

Model	Max Tolerant Temperature for the Cardguide (not to exceed)	Method for Width Adjustment	Outer Dimensions			Adjustable Width	Reference Position						Number of PCB Capacity	Weight (kg)	Base Material	Availability in Reverse	Stopper Bar (optional)
			L (length)	W (width)	H (height)		A	B	C	D	E	P					
★NKAJ-0211N · G	60°C	R&P	160	160	395	20 - 110	22.5	34	159	2.5	3.5	8	40	1.9	Metal	×	L=383
★NKAJ-0211R-AL · G	135°C	R&P	260	165	270	20 - 110	20	34	255	1.5	3	4	50	1.6	Metal	×	L=258
NKAJ-0218R · G	135°C	R&P	210	230	315	20 - 180	22	34	209	2	2.5	5	50	1.7	Metal	○	L=303
N25	60°C	R&P	355	320	563	50 - 255	34	34	351	3	5	10	50	3.9	Plastic	○	L=548
R25	135°C	R&P	355	320	563	50 - 255	34	34	351	3	5	10	50	3.9	Plastic	○	L=548
SR25	165°C	R&P	355	320	563	50 - 255	34	34	351	3	5	10	50	3.9	Plastic	○	L=548
★T25	135°C	R&P	355	321	581	50 - 255	35	35	351	3	5	10	50	4.3	Plastic	×	L=561
NKAJ-0525N · G	60°C	R&P	355	320	563	50 - 255	34	34	351	3	5	10	50	5.2	Metal	○	L=557
NKAJ-0525R · G	135°C	R&P	355	320	563	50 - 255	34	34	351	3	5	10	50	5.2	Metal	○	L=557
NKAJ-0525SR · G	165°C	R&P	355	320	563	50 - 255	34	34	351	3	5	10	50	5.2	Metal	○	L=557
NKAJ-0525N3 · G	60°C	Screw	355	320	563	50 - 251	34	34	351	3	5	10	50	3.8	Plastic	○	L=548
NKAJ-0525R3 · G	135°C	Screw	355	320	563	50 - 251	34	34	351	3	5	10	50	3.8	Plastic	○	L=548
NKAJ-0525SR3 · G	165°C	Screw	355	320	563	50 - 251	34	34	351	3	5	10	50	3.8	Plastic	○	L=548

★ These items are customized.

*All standard models are shipped partially assembled.

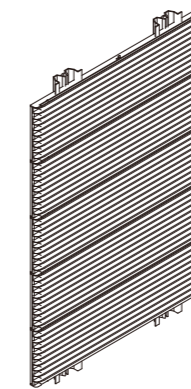
*Conductive resistance of Magazine Rack is $1 \times 10^3 < R_x < 1 \times 10 \Omega$ (based on NIX measurement method). Conductive resistance is different depending on model (Please contact us).

*Recommended maximum width adjustment is -1mm shorter than "Adjustable width". *Method for width adjustment "R&P" is one-touch adjustment type.

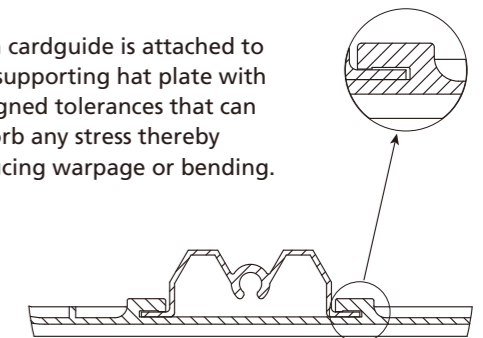
**"R&P" type has AJ slope function to adjust width easily (Approximately in 5 seconds).

Nikko-Rack Cardguides

The Nikko-Rack cardguides are assembled in five separate sections to add both strength and to simplify ease of replacement if needed.



Each cardguide is attached to the supporting hat plate with designed tolerances that can absorb any stress thereby reducing warpage or bending.



Specifications

Model	Max Tolerant Temperature for the Cardguide (not to exceed)	Method for Width Adjustment	Outer Dimensions			Adjustable Width	Reference Position		Guide Rail Dimension						Number of PCB Capacity	Weight (kg)	Base Material	Availability in Reverse	Stopper Bar (optional)
			L (length)	W (width)	H (height)		A	B	C	D	E	P							
NKAJ-0531R · G	135°C	R&P	535	380	570	50 - 310	34	41	530	3	5	10	50	9.4	Metal	×	L=564		
NKAJ-0531SR · G	165°C	R&P	535	380	570	50 - 310	34	41	530	3	5	10	50	9.4	Metal	×	L=564		
★NKAJ-0531RE · G	135°C	R&P	535	380	570	50 - 310	34	41	509	2.8	4	12.5	40	11.4	Metal	×	L=564		
NKAJ-0531R-34x34 · G	135°C	R&P	535	380	563	50 - 310	34	34	530	3	5	10	50	9.4	Metal	○	L=557		
NKAJ-0531SR-34x34 · G	165°C	R&P	535	380	563	50 - 310	34	34	530	3	5	10	50	9.4	Metal	○	L=557		
NKAJ-0733R · G	135°C	R&P	460	400	565	70 - 330	35	35	460	3	5	10	50	8.8	Metal	○	L=557		
NKAJ-0733SR · G	165°C	R&P	460	400	565	70 - 330	35	35	460	3	5	10	50	8.8	Metal	○	L=557		
NKAJ-0733R-34x34 · G	135°C	R&P	460	400	563	70 - 330	34	34	460	3	5	10	50	8.8	Metal	○	L=557		
NKAJ-0733SR-34x34 · G	165°C	R&P	460	400	563	70 - 330	34	34	460	3	5	10	50	8.8	Metal	○	L=557		
NKAJ-0539R · G	135°C	R&P	535	460	570	50 - 390	34	41	530	3	5	10	50	10.5	Metal	×	L=564		
NKAJ-0539SR · G	165°C	R&P	535	460	570	50 - 390	34	41	530	3	5	10	50	10.5	Metal	×	L=564		
NKAJ-0539R-34x34 · G	135°C	R&P	535	460	563	50 - 390	34	34	530	3	5	10	50	10.5	Metal	○	L=557		
NKAJ-0539SR-34x34 · G	165°C	R&P	535	460	563	50 - 390	34	34	530	3	5	10	50	10.5	Metal	○	L=557		
NKAJ-0546R · G	135°C	R&P	535	530	563	50 - 460	34	34	530	3	5	10	50	12.3	Metal	○	L=557		
NKAJ-0546SR · G	165°C	R&P	535	530	563	50 - 460	34	34	530	3	5	10	50	12.3	Metal	○	L=557		
NKAJ-0525R-G400	135°C	R&P	400	320	563	50 - 255	34	34	397	3	5	10	50	6.8	Metal	○	L=557		
NKAJ-0531R-G400	135°C	R&P	400	380	563	50 - 310	34	34	397	3	5	10	50	7.6	Metal	○	L=557		
NKAJ-0733R-G400	135°C	R&P	400	400	563	70 - 330	34	34	397	3	5	10	50	7.8	Metal	○	L=557		

★ These items are customized.

*All standard models are shipped partially assembled.

*Conductive resistance of Magazine Rack is $1 \times 10^3 < R_x < 1 \times 10 \Omega$ (based on NIX measurement method). Conductive resistance is different depending on model (Please contact us).

*Recommended maximum width adjustment is -1mm shorter than "Adjustable width". *Method for width adjustment "R&P" is one-touch adjustment type.

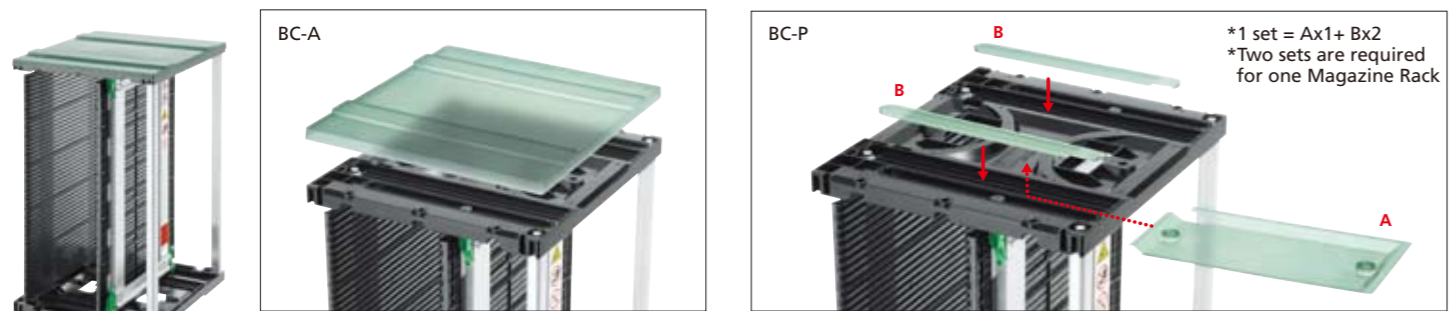
**"R&P" type has AJ slope function to adjust width easily (Approximately in 5 seconds).

Specialized products for every need we make.

Optional items for Magazine Rack

Base Cover

Keep dust away from PCB in Magazine Rack.




BC-A: Full Surface Type
BC-P: Hole Cover Type

*1 set = Ax1+ Bx2
*Two sets are required for one Magazine Rack

Model	BC-A	BC-P
Specification	Full Surface Type	Hole Cover Type
Applicable Magazine Rack	M size Magazine Rack	N25, R25, SR25(refer to p.3 of this catalog)
Features	Magazine Slip-prevention mechanism enables stacking (of two magazines.) *Stackable for N25, R25 & SR25.	Loader/unloader can be used with the base cover attached. (Be sure to check the present condition of the equipment being used.)

Dust Cover

Protect PCB and Magazine Rack from dust and ESD.




Model	NA-1	NT-1
Specification	Conductivity (2.7 x 10 ⁶ Ω)	Preventing electric charge (1.4 x 10 ¹¹ Ω)
Applicable Magazine Rack	M size Magazine Rack	
Features	Open/close with a magic tape Using double-sided conductive sheet.	Made of ESD free material. This is a basic model.

*Measurement results only, not NIX guaranteed value.

Slot Stopper


Fill in unused slots to avoid wrong insertion of PCBs.



Model	SLS-M
Specification	Preventing electric charge (10 ¹¹ Ω or less)
Applicable Magazine Rack	R25, SR25 (refer to p.3 of this catalog)
Features	Prevent charging even in white with unique coloring

Dolly

Dolly for Magazine Racks. Large size is also available.




Model	DA-0525-1	DA-0525-2
Specification	For 1 rack	For 2 racks
Applicable Magazine Rack	M size Magazine Rack	
Features	Conductive caster in use Various sizes are available	

Customized Rack

Ko-Rack

Compact size rack most suitable for reducing inventory, customer seeking for saving space and high-mix low-volume lot production!



Model	Adjustable Width	Outer Dimensions			Number of PCB Capacity	Optional Parts					
		L(length)	W(width)	H(height)		Auto Stopper	Rotation Stopper	Upper Handle	Side Plate for Card Holder	Full Side Cover	Spring Type Stopper Bar
K35-S	91 – 145	355	128.5 – 182.5	278	24	○	○	○	○	×	×
K35-B	144.5 – 251	355	182 – 288.5	278	24	○	○	○	○	×	○
K35-A	Assigned width	355	Printed board width+38.5	278	24	×	×	×	×	×	○
K35-AS	Assigned width	355	Printed board width+38.5	278	24	×	×	○	×	○	○

*Recommended maximum width adjustment is -1mm shorter than "Adjustable width".

Low Height Magazine Rack



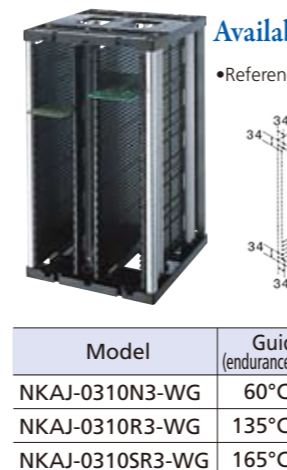
Low profile rack most suitable for inventory reduction and space saving

- Most suitable for high-mix low-volume lot
- Since the height of cardguide is 100mm, Magazine height can be specified by 100mm increment.
- Light weight

Model	Outer Dimensions			Number of PCB Capacity	Stopper Bar (optional)
	L(length)	W(width)	H(height)		
R25-L2	355	320	163	10	L=148
R25-L4	355	320	263	20	L=248
R25-L6	355	320	363	30	L=348
R25-L8	355	320	463	40	L=448

•Storage pitch: 10 mm •Adjustable width: 50 to 255 mm

Smart Storage Rack




Available to stow 200 boards in M size rack

- Reference position diagram
- Storage capacity 50 boards on one side, 200 on four sides

Model	Guide Rail (endurance temperature)	Outer Dimensions			Adjustable Width
		L(length)	W(width)	H(height)	
NKAJ-0310N3-WG	60°C or less	355	320	563	30 – 101
NKAJ-0310R3-WG	135°C or less	355	320	563	30 – 101
NKAJ-0310SR3-WG	165°C or less	355	320	563	30 – 101

Heat-Resistant Rack



Applicable to climate bath by being made with metal only.

- Gap between guide rails for excellent ventilation
- Exterior dimension and reference position are identical to M size
- Available to customize for different size PCBs and the storage capacity

Optional: Stopper Bar

Model	Adjustable Width	Outer Dimensions			Number of PCB Capacity
		L(length)	W(width)	H(height)	
NKLH-0525AL	50 – 250	355	320	562	50
NKLH-0525SU	50 – 250	355	320	562	50

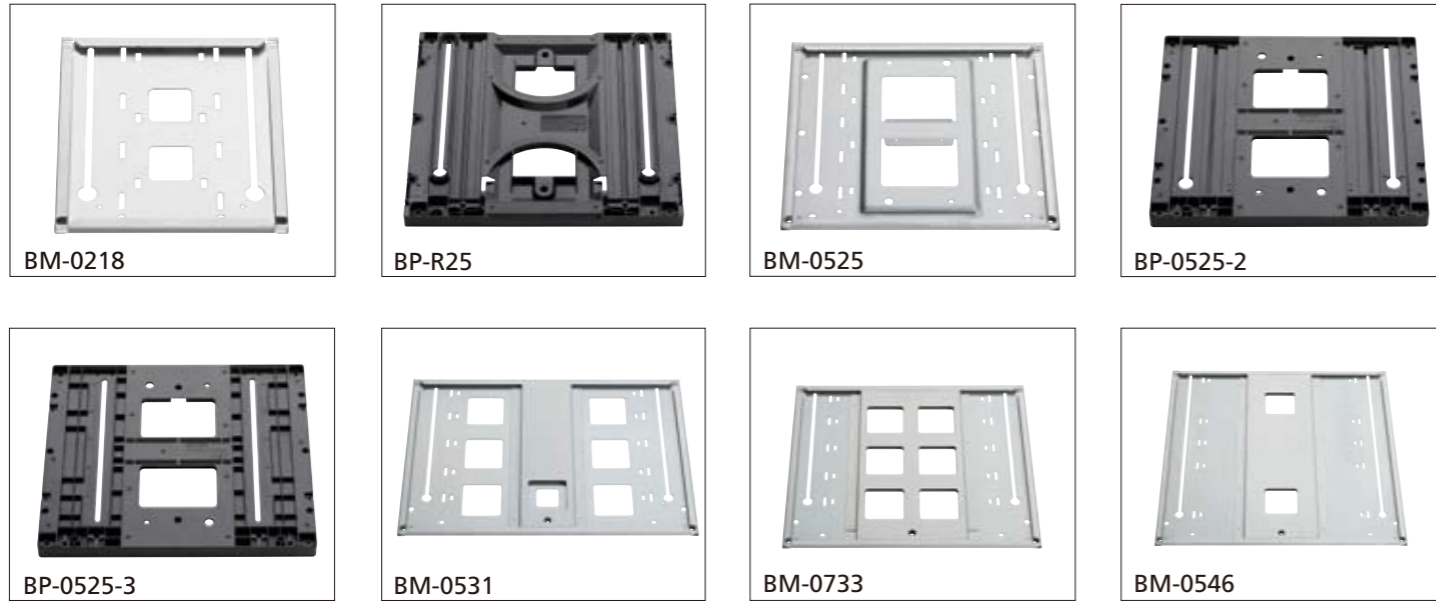
•Guide rail material: AL(aluminum), SU(stainless)

Example of development of Customized Rack

- Racks with RFID for raw printed board/car electronics field
- Rack with auto-stopper for car electronics field
- Rack with stopper open/close feature for industrial system field
- Under fill dry rack for smart phone field
- Rack for clean room for semi-conductor field
- Long Magazine Rack for LED industry
- Pitch selected card guide option.
- Selectable pitch (20,30,40,50 and 60 pitches)
- Ultra wear resistance card guide
- Non heat-resistance, no conductivity

Replacement parts for Nikko-Rack™ series.

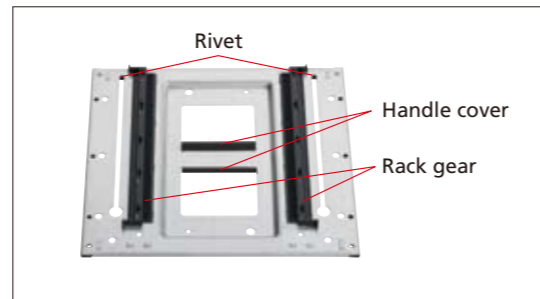
Base



Compatible replacement parts list

Magazine Rack Model	Base (including 2) B : Base P : Plastic Base M : Metal Base	Guide Rail (including 10) G: Guide Rail N, R, SR: Heat Resistance
NKAJ-0218R · G	BM-0218 *3	G-209R
N25	BP-R25	G-351N
R25	BP-R25	G-351R
SR25	BP-R25	G-351SR
NKAJ-0525N · G	BM-0525 *1	G-351N
NKAJ-0525R · G	BM-0525 *1	G-351R
NKAJ-0525SR · G	BM-0525 *1	G-351SR
NKAJ-0525N2 · G	BP-0525-2	G-351N
NKAJ-0525R2 · G	BP-0525-2	G-351R
NKAJ-0525SR2 · G	BP-0525-2	G-351SR
NKAJ-0525N3 · G	BP-0525-3	G-351N
NKAJ-0525R3 · G	BP-0525-3	G-351R
NKAJ-0525SR3 · G	BP-0525-3	G-351SR
NKAJ-0531R · G	BM-0531 *2	G-530R
NKAJ-0531SR · G	BM-0531 *2	G-530SR
NKAJ-0531R-34x34 · G	BM-0531 *2	G-530R
NKAJ-0531SR-34x34 · G	BM-0531 *2	G-530SR
NKAJ-0733R · G	BM-0733 *2	G-460YLR
NKAJ-0733SR · G	BM-0733 *2	G-460YLSR
NKAJ-0733R-34x34 · G	BM-0733 *2	G-460YLR
NKAJ-0733SR-34x34 · G	BM-0733 *2	G-460YLSR
NKAJ-0539R · G	BM-0539 *2	G-530R
NKAJ-0539SR · G	BM-0539 *2	G-530SR
NKAJ-0539R-34x34 · G	BM-0539 *2	G-530R
NKAJ-0539SR-34x34 · G	BM-0539 *2	G-530SR
NKAJ-0546R · G	BM-0546 *2	G-530R
NKAJ-0546SR · G	BM-0546 *2	G-530SR

*1: With rack gear, handle cover, rivet *2: With rack gear, rivet *3: With rack gear
*Please contact us for compatible replacement part not listed above.

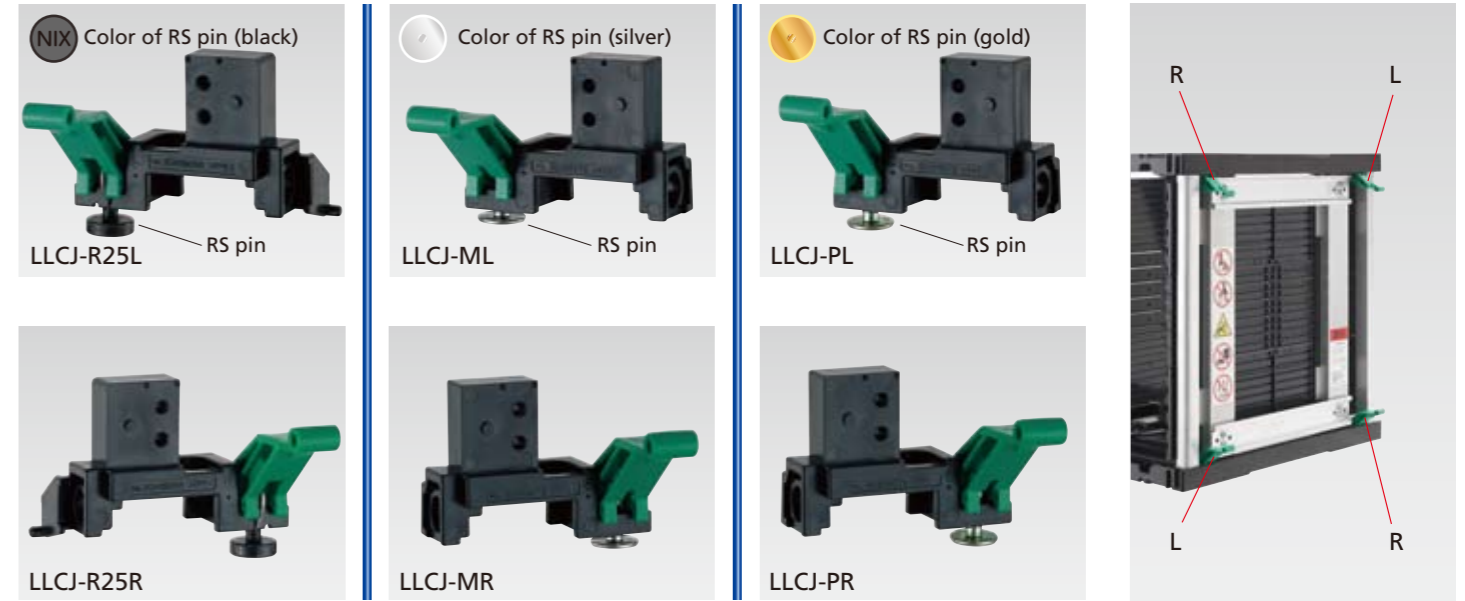


Accessories description (*1, *2, *3)

Card Guide



Corner Joint

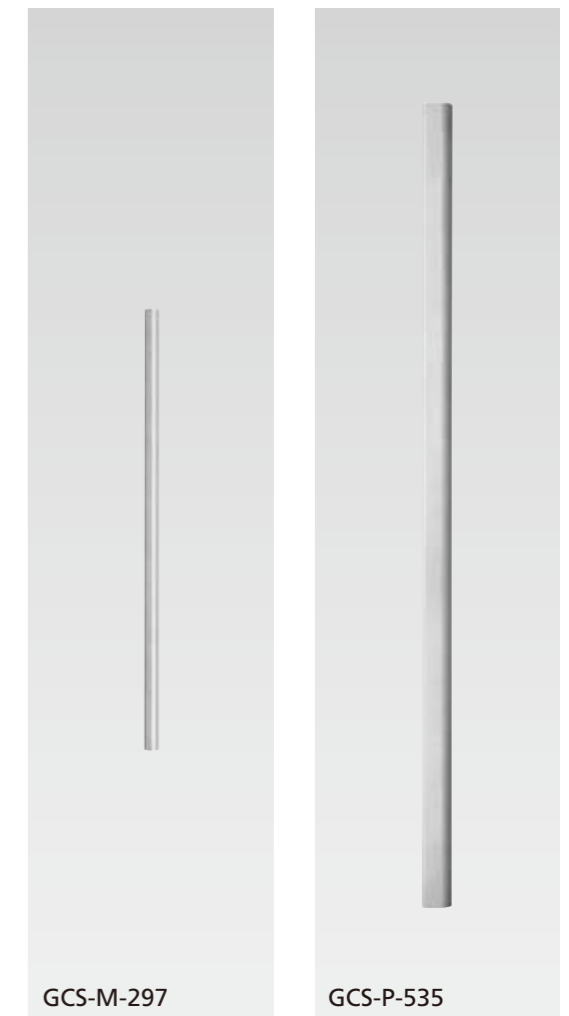


Compatible replacement parts list

Magazine Rack Model	Corner Joint (including two each) LLCJ: Lock Lever Corner Joint M: For Metal Base P: For Plastic Base L: Left R: Right	Guide Channel (*1 includes 2, *2 includes 4) GCS: Guide Channel M: For Metal Base P: For Plastic Base
NKAJ-0218R · G	LLCJ-ML, LLCJ-MR	GCS-M-297 *1
N25	LLCJ-R25L, LLCJ-R25R	GCS-P-535 *1
R25	LLCJ-R25L, LLCJ-R25R	GCS-P-535 *1
SR25	LLCJ-R25L, LLCJ-R25R	GCS-P-535 *1
NKAJ-0525N · G	LLCJ-ML, LLCJ-MR	GCS-M-545 *1
NKAJ-0525R · G	LLCJ-ML, LLCJ-MR	GCS-M-545 *1
NKAJ-0525SR · G	LLCJ-ML, LLCJ-MR	GCS-M-545 *1
NKAJ-0525N2 · G	LLCJ-PL, LLCJ-PR	GCS-P-535 *1
NKAJ-0525R2 · G	LLCJ-PL, LLCJ-PR	GCS-P-535 *1
NKAJ-0525SR2 · G	LLCJ-PL, LLCJ-PR	GCS-P-535 *1
NKAJ-0525N3 · G	—	GCS-P-535 *1
NKAJ-0525R3 · G	—	GCS-P-535 *1
NKAJ-0525SR3 · G	—	GCS-P-535 *1
NKAJ-0531R · G	LLCJ-ML, LLCJ-MR	GCS-M-552 *2
NKAJ-0531SR · G	LLCJ-ML, LLCJ-MR	GCS-M-552 *2
NKAJ-0531R-34x34 · G	LLCJ-ML, LLCJ-MR	GCS-M-545 *2
NKAJ-0531SR-34x34 · G	LLCJ-ML, LLCJ-MR	GCS-M-545 *2
NKAJ-0733R · G	LLCJ-ML, LLCJ-MR	GCS-M-547 *2
NKAJ-0733SR · G	LLCJ-ML, LLCJ-MR	GCS-M-547 *2
NKAJ-0733R-34x34 · G	LLCJ-ML, LLCJ-MR	GCS-M-545 *2
NKAJ-0733SR-34x34 · G	LLCJ-ML, LLCJ-MR	GCS-M-545 *2
NKAJ-0539R · G	LLCJ-ML, LLCJ-MR	GCS-M-552 *2
NKAJ-0539SR · G	LLCJ-ML, LLCJ-MR	GCS-M-552 *2
NKAJ-0539R-34x34 · G	LLCJ-ML, LLCJ-MR	GCS-M-545 *2
NKAJ-0539SR-34x34 · G	LLCJ-ML, LLCJ-MR	GCS-M-545 *2
NKAJ-0546R · G	LLCJ-ML, LLCJ-MR	GCS-M-545 *2
NKAJ-0546SR · G	LLCJ-ML, LLCJ-MR	GCS-M-545 *2

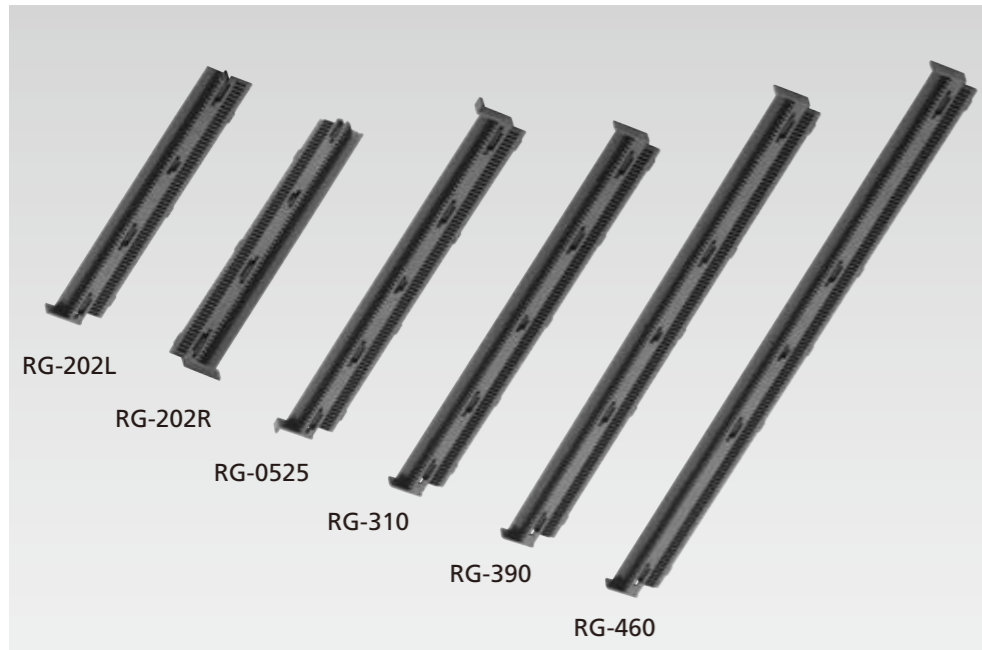
*1: With screw, flat washer *2: With reinforcement plate, screw
*Please contact us for compatible replacement part not listed above.

Guide Channel



Replacement parts for Nikko-Rack™ series.

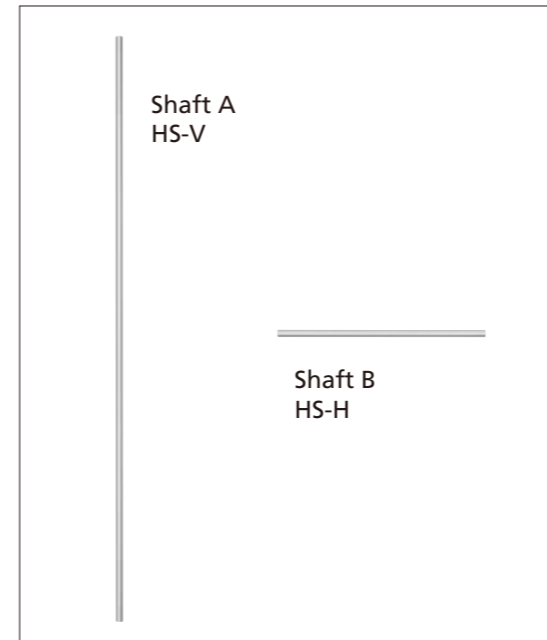
Rack Gear



Hat Plate



Shaft



Pinion Gear



Spring Type Stopper Bar(optional)



Compatible replacement parts list

Magazine Rack Model	Rack Gear (*1 includes 2 *2 includes 4)	Hat Plate (*1 includes 2 *2 includes 4 *3 includes 6)	Hat Plate SX (including 2)	Hat Plate Joint (including 2) HPJ: Hat Plate Joint
	RG: Rack Gear	HP: Hat Plate	HPSX: Hat Plate SX	
NKAJ-0218R · G	RG-202-L, RG-202-R *1	HP-0218 *2	—	—
N25	—	HP-L500 *1	HPSX-L535	HPJ-0525
R25	—	HP-L500 *1	HPSX-L535	HPJ-0525
SR25	—	HP-L500 *1	HPSX-L535	HPJ-0525
NKAJ-0525N · G	RG-0525 *2	HP-L500 *2	—	HPJ-0525
NKAJ-0525R · G	RG-0525 *2	HP-L500 *2	—	HPJ-0525
NKAJ-0525SR · G	RG-0525 *2	HP-L500 *2	—	HPJ-0525
NKAJ-0525N2 · G	—	HP-L500 *1	HPSX-L535	HPJ-0525
NKAJ-0525R2 · G	—	HP-L500 *1	HPSX-L535	HPJ-0525
NKAJ-0525SR2 · G	—	HP-L500 *1	HPSX-L535	HPJ-0525
NKAJ-0525N3 · G	—	HP-L500 *1	—	HPJ-0525
NKAJ-0525R3 · G	—	HP-L500 *1	—	HPJ-0525
NKAJ-0525SR3 · G	—	HP-L500 *1	—	HPJ-0525
NKAJ-0531R · G	RG-310 *2	HP-L507 *3	—	HPJ-530
NKAJ-0531SR · G	RG-310 *2	HP-L507 *3	—	HPJ-530
NKAJ-0531R-34x34 · G	RG-310 *2	HP-L500 *3	—	HPJ-530
NKAJ-0531SR-34x34 · G	RG-310 *2	HP-L500 *3	—	HPJ-530
NKAJ-0733R · G	RG-310 *2	HP-L502 *3	—	HPJ-0733
NKAJ-0733SR · G	RG-310 *2	HP-L502 *3	—	HPJ-0733
NKAJ-0733R-34x34 · G	RG-310 *2	HP-L500 *3	—	HPJ-0733
NKAJ-0733SR-34x34 · G	RG-310 *2	HP-L500 *3	—	HPJ-0733
NKAJ-0539R · G	RG-390 *2	HP-L507 *3	—	HPJ-530
NKAJ-0539SR · G	RG-390 *2	HP-L507 *3	—	HPJ-530
NKAJ-0539R-34x34 · G	RG-390 *2	HP-L500 *3	HPSX-L535	HPJ-530
NKAJ-0539SR-34x34 · G	RG-390 *2	HP-L500 *3	HPSX-L535	HPJ-530
NKAJ-0546R · G	RG-460 *2	HP-L500 *3	HPSX-L535	HPJ-530
NKAJ-0546SR · G	RG-460 *2	HP-L500 *3	HPSX-L535	HPJ-530



Compatible replacement parts list

Magazine Rack model	Shaft A (including 2) HS: Hexagon shaft V: For vertical	Shaft B (including 2) HS: Hexagon shaft H: For horizontal	Pinion Gear (including 8) PG: Pinion Gear	Spring Type Stopper Bar (optional) S: Stopper Bar L: Length
NKAJ-0218R · G	HS-V-0218	HS-H-0218	PG-P	S-L303
N25	HS-V-0525	HS-H-0525	PG-P	S-L548
R25	HS-V-0525	HS-H-0525	PG-P	S-L548
SR25	HS-V-0525	HS-H-0525	PG-P	S-L548
NKAJ-0525N · G	HS-V-0525	HS-H-0525	PG-P	S-L557
NKAJ-0525R · G	HS-V-0525	HS-H-0525	PG-P	S-L557
NKAJ-0525SR · G	HS-V-0525	HS-H-0525	PG-P	S-L557
NKAJ-0525N2 · G	HS-V-0525	HS-H-0525	PG-P	S-L548
NKAJ-0525R2 · G	HS-V-0525	HS-H-0525	PG-P	S-L548
NKAJ-0525SR2 · G	HS-V-0525	HS-H-0525	PG-P	S-L548
NKAJ-0525N3 · G	—	—	—	S-L548
NKAJ-0525R3 · G	—	—	—	S-L548
NKAJ-0525SR3 · G	—	—	—	S-L548
NKAJ-0531R · G	HS-V-3139	HS-H-313946	PG-P	S-L564
NKAJ-0531SR · G	HS-V-3139	HS-H-313946	PG-P	S-L564
NKAJ-0531R-34x34 · G	HS-V-0525	HS-H-313946	PG-P	S-L557
NKAJ-0531SR-34x34 · G	HS-V-0525	HS-H-313946	PG-P	S-L557
NKAJ-0733R · G	HS-V-0733	HS-H-0733	PG-P	S-L557
NKAJ-0733SR · G	HS-V-0733	HS-H-0733	PG-P	S-L557
NKAJ-0733R-34x34 · G	HS-V-0525	HS-H-0733	PG-P	S-L557
NKAJ-0733SR-34x34 · G	HS-V-0525	HS-H-0733	PG-P	S-L557
NKAJ-0539R · G	HS-V-3139	HS-H-313946	PG-P	S-L564
NKAJ-0539SR · G	HS-V-3139	HS-H-313946	PG-P	S-L564
NKAJ-0539R-34x34 · G	HS-V-0525	HS-H-313946	PG-P	S-L557
NKAJ-0539SR-34x34 · G	HS-V-0525	HS-H-313946	PG-P	S-L557
NKAJ-0546R · G	HS-V-0525	HS-H-313946	PG-P	S-L557
NKAJ-0546SR · G	HS-V-0525	HS-H-313946	PG-P	S-L557

*Optional part. Not attached to Magazine Rack.

*Please contact us for compatible replacement part not listed above.

*Please contact us for compatible replacement part not listed above.

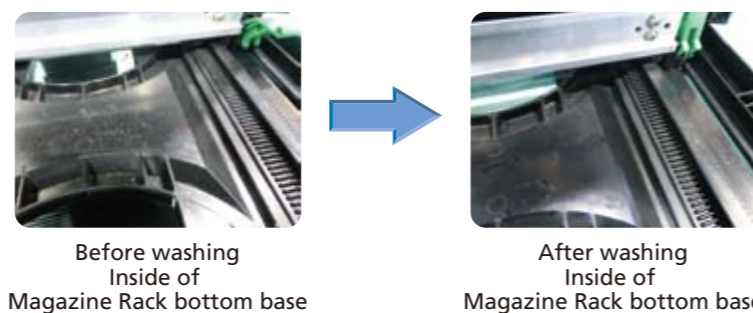
Perfect for removing contamination in Magazine Racks and printed circuit boards.

Magazine Washer PAT. P

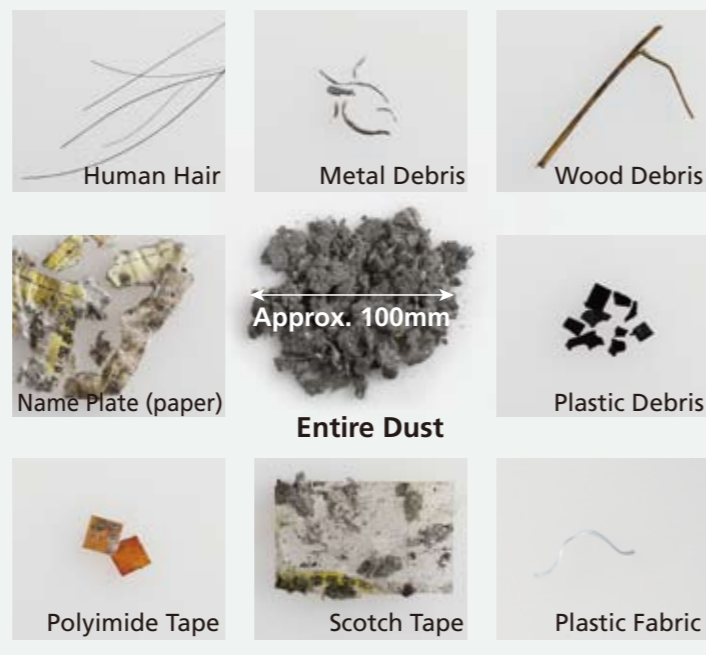


Powerful cleaning with Micro Bubble remove dust and debris attached Magazine Racks. Protecting quality of printed board by clean Magazine Rack. In addition, contributing to reduction of contamination in the entire plant.

- Micro bubble
- Dust removal
- Compact size
- Layout free



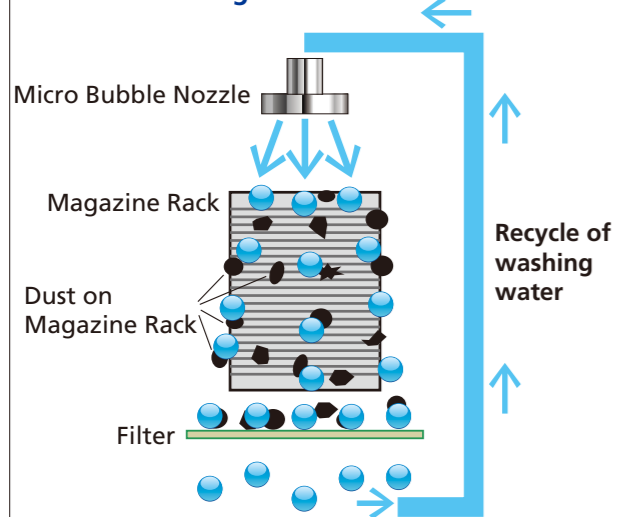
[Example of Contamination]
Dust collected from the filter that washed 240 Magazine Racks (80 x 3 days)



Device specification

Object Magazine Rack	M size Magazine Rack	Weight limit (8 kg or less)/ Balance limit (width 100 mm or more) is applied
Tact time	2 to 10 minutes/unit (our recommended setting is 6 minutes/unit) Depending on setting time for washing/water removal/drying	
Cleaning solution	Pure water or Tap water (100 L) + NIX water A (approximately 150 ml) & B (approximately 250 ml) NIX water is an additive for improving anticorrosion and water removal property. For use overseas, please contact us regarding the use of tap water.	
Consumables	(i) Filter (1st, 2nd, 3rd) First and second stage filters are to be replaced monthly. The third stage filter replacement is to be judged by actual use considered. (ii) Washing water (replace monthly)	
Option	Magazine Rack Management System	

Structure of Magazine Washer



What is micro bubble?
Super fine bubble with size of 50 micron(0.05mm) is called as a micro bubble.
*A single scale represents 50 micro

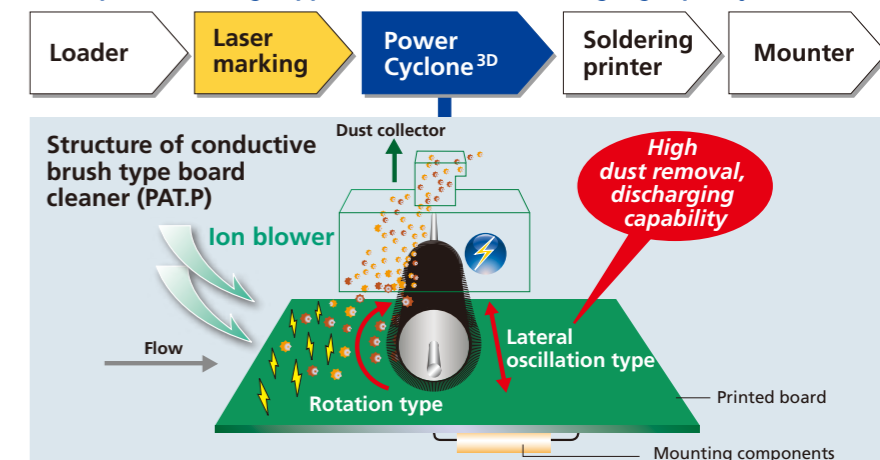
Basic specification

Item Name	Magazine Washer
Model	MW-MB
Cleaning Specification	Micro bubble + shower washing
Outer Dimensions	800(W) x 1600(L) x 1500(H) mm
Weight	Approx.750 kg(including washing water 100kg)
Rack Loading Height	Approx.1000mm
Power Supply/Electric Capacity	3-phase AC200V 50Hz/60Hz, 40A(Max.)
Paint Color	NIX standard color [Munsell 7.2Y9.4/0.8(gross):white-cream]

Printed Board Cleaner

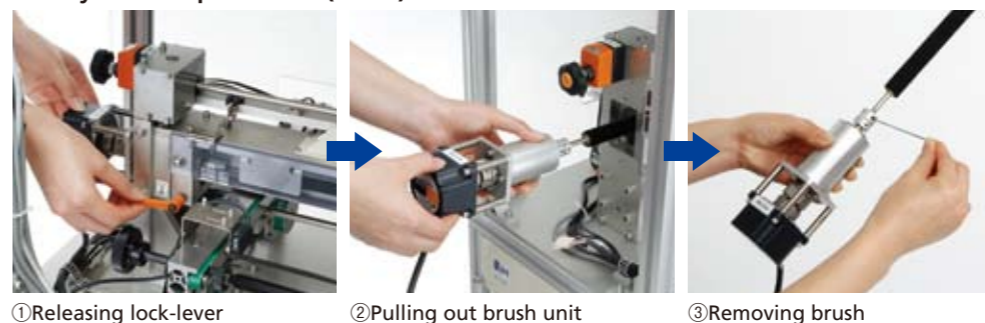


Unique technology ensures high performance in the removal of contamination. Power Cyclone 3D with lateral oscillation and conductive brush provide strong support for customers seeking high quality.



- Upper brush type(standard), double side brush type(optional)
- Static electricity removal(50 V or less; no ionizer, based on NIX test)*
- Most suitable for dust removal of laser masking
- Removing contaminants of 5µm(based on NIX test)*
- Maintenance free(requiring periodical cleaning)
- Low running cost

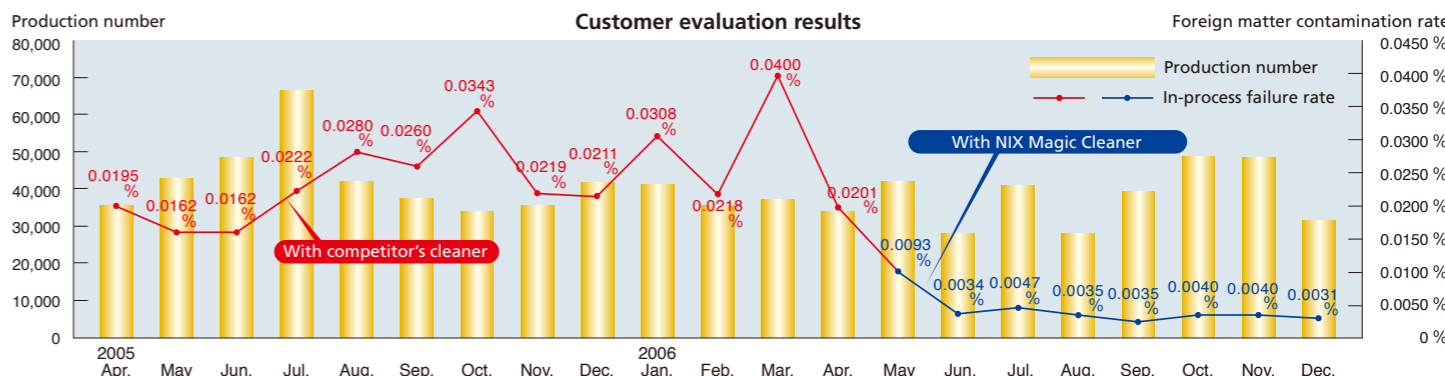
Easy brush replacement (PAT.P)



Easy brush height adjustment (PAT.P)



Example: Set to [0016] in case of printed board thickness t1.6 mm



Basic specification

Item Name	Power Cyclone 3D
Model	M3DM-IN
Cleaning Specification	Upper surface cleaning of printed board with conductive brush
Outer Dimensions	815(L) x 350(W) x 1387(H) mm : conveyor length 370mm
Weight	Approx. 90 kg
Transportation Height	900 ± 20mm
Mounted Components Height	No component on printed board surface, back surface, MAX 25mm
Power Supply/Electric Capacity	AC100V 50Hz/60Hz, 200VA
Paint Color	NIX standard color [Munsell 7.2Y9.4/0.8(gross):white-cream]

System specification

Direction of Flow	Right → left/Left → right
Criterion	Front reference / back reference
Printed Board Size	M size (50 x 50 to 250 x 330 mm)
Interface	Molex 4-pin connector (1490R · P1)
Conductive Brush Height Adjustment	Manual up/down traverse type
Operation Panel	Power supply SW, touch panel, pressure sensor, buzzer, EMG stop
Breaker	Install inside main body

*Other, 460 mm width printed board, double face cleaning, deflection prevention feature, and custom option is available

Traceability solutions with NIX's unique products and systems.

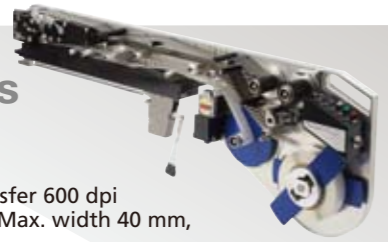
Auto labelling website.
 "NAVI" is now available for focused on the printed board traceability.
<http://www.labelnix.com>

Label Feeder for Moulder



Reducing process time and labor cost by changing label manual attaching to automated attaching. Label can be attached automatically using existing moulder. High speed/high accuracy attaching is available with moulder function. Advantage of less expensive/space saving comparing to dedicated label attaching system. Label feeder consists of two types of NPOD series (with printing feature) and AMP series (without printing feature)

Feeder with printing function NPOD series



- [Printer specification]**
- Model : NPOD
 - Printing Type : thermal transfer 600 dpi
 - Maximum Printing Range : Max. width 40 mm, Max. height 30 mm
 - Communication I/F : Selectable either Ethernet or RS-232C
 - WindowsXP, Vista, 7 (32-, 64-bit) with printer driver
 - With printer built-in command and front (available to create custom software)
 - With external input/output connector (DSUB-15 pin)

- [Label & ribbon specification]**
- Label Shape Type : punch shape horizontal single face label (N/A for continuous forms)
 - Label Size : Width 4 to 40 mm, length 4 to 30 mm
 - Label Mat Width : 10 to 45 mm
 - Label Roll Size : Max. outer diameter 200 mm, core inner diameter 76.2 mm
 - Applicable Label : NIX STATINIX static charge countermeasure polyimide
 - Applicable Ribbon : Max. ribbon width 50 mm x 300 m (DK620 series)

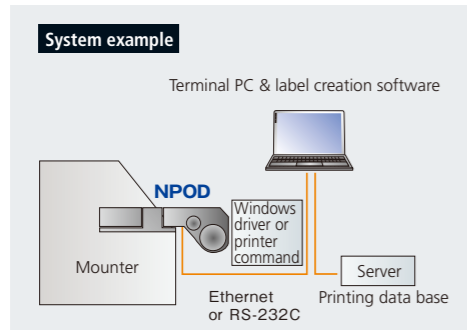
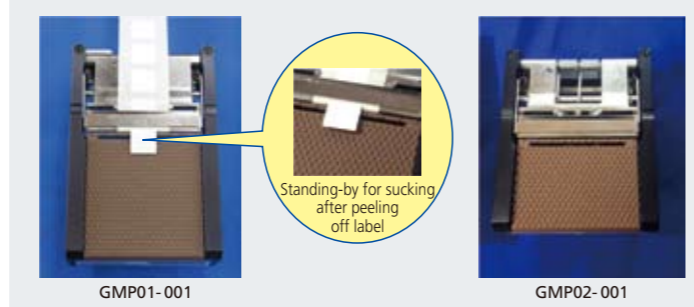
Feeder without printing function AMP series



- [Specification]**
- Model : AMP
 - Label Shape : Punch shape horizontal single face or multiple column (N/A for continuous forms)
 - Label Size : Width 3 to 38 mm, length 3 to 50 mm
 - *Depending on moulder model and sheet left/right margin
 - Label Feed Rate : Selectable from 30, 53, 95 mm/sec
 - Label Peel-off Unit : Requiring GMP module 1/AMP 1
 - *GMP module consists of two types
 - Power Supply : In use with direct connector connection from moulder
 - *Separate power supply is required depending on model of moulder
- Please contact us for detail

Detachable GMP label peel-off module

Easily adjustable for various label size



Moulder Manufacturers	Moulder Model Name	Label Feeder Model Name with Printing Function	Label Feeder Model Name without Printing Function	GMP Module Compatible		
				GMP01-001 *Note 1	GMP02-001 *Note 2	LMG *Note 3
JUKI	KE700/1000/2000/3000 (mechanical feeder model)	—	AMPJ01-001	△	○	○
	FX series, KE3000 (electrical feeder model)	—	AMPJF01-001	△	○	○
Fuji Machine MFG	NXT, NXT II, AIM, AIMEX, XPF	NPOD-NXT	AMPFN02-001	△	○	○
	NXT, NXT II, AIM, AIMEX, XPF	NPOD-NXT	AMPFN02-002 *With reel holder	△	○	○
	QP2, QP3, XP	NPOD-F	AMPF01-001	×	○	○
Yamaha	IP	—	AMPF01-001	×	×	○
	YV100, XG100, YG100/88	—	AMPY01-001	×	○	○
Panasonic	YS12, YS12F, YS24X, YS88, YS100, YSM-40	—	AMPYS01-001	×	○	○
	CM402, 602, 212, 101, DT401, CM212, NPM	NPOD-CM	AMPPC02-001	24 to 44 mm length label only	3 to 14 mm length label only	○
	MPAV2, MPAG3, MSF, MCF, BM	—	AMPP02-001	×	○	○

*Note 1. Applicable label size for GMP01-001: Label base sheet width 3 to 42 mm, label length 3 to 50 mm (24 to 44 mm for AMPPC02-001) *Note 2. Applicable label size for GMP02-001: Label base sheet width 3 to 42 mm, label length 3 to 35 mm (3 to 14 mm for AMPPC02-001) *Note 3. LMG is custom module for size to which GMP01 or 02 is not compatible. △: Please contact us for detail.

Dedicated model for real time printing label attaching

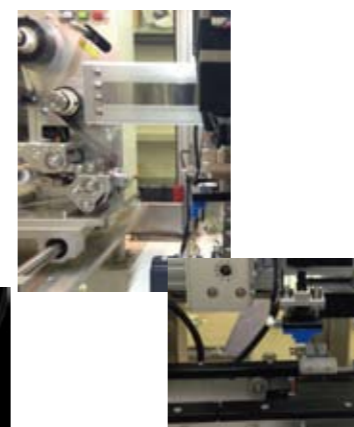
Dedicated model for label attaching capable of traceability from the top of mounting line (custom specification). Attaching position can be changed by either one of two types, manual type/automated type. *Loader and unloader before and after label attaching system are available.

LM series



Attaching position XY manual

L series



Attaching position XY auto

- Thermal transfer printer ; 300 or 600dpi mounted
- Available to attach after verifying legibility after printing (LM type verifies after attaching)
- Compact/space saving with 2 inches head mounted
- Two types of auto setting/manual setting for attaching position
- Attaching angle is settable in every 90 degrees
- Minimum height of label is 4 mm or more
- Custom specification available

Specifications

Model	TPR-612LM	TPR-612L	TPR-624LM	TPR-624L
Printing Resolution	300dpi	300dpi	600dpi	600dpi
Maximum Printing Width	53.33mm	53.33mm	58mm	58mm
Base Sheet Width	20 - 65mm			
Minimum Label Height	4mm or more			
Ribbon Width	30 - 64mm			
Communication I/F	RS-232C			
Bar Code Reader for Verification	Keyence SR-510 *Other readers are compatible			
Built-in Character	JIS level-1 kanji set, level-2 kanji set, ANK character, etc			
Built-in Bar Code	2-dimension QR, micro QR, PDF417, micro PDF417, DataMatrix (ECC200)			
Attaching Position	XY manual	XY auto	XY manual	XY auto
Attaching Angle	Fix	Every 90 degrees auto	Fix	Every 90 degrees auto
Attaching Position Specifying Registration Method	—	PC or touch panel	—	PC or touch panel

*Including two types of in-line and batch *Printing and control software will be a custom application based on agreement

Printers, label drawing software

High Performance Printer BBP16E



Main specifications

Model	BBP16E	BBP16E (with cutter)	BBP16E (with peel)
Print Resolution	600 dpi	600 dpi	600 dpi
Print Head Width	104 mm	104 mm	104 mm
Max. Base Sheet Width (narrow specification)	15 - 90 mm	15 - 90 mm	15 - 90 mm
Max. Base Sheet Width (wide specification)	25.4 - 113 mm	25.4 - 113 mm	25.4 - 113 mm
Label Length	4 - 2,540 mm	18 - 1,016 mm	25.4 - 152.4 mm
Gap Length between Labels	Min. 2 mm	Min. 2 mm	Min. 2 mm

- High performance fine printing is available with 600 dpi printing head mounted
- Minimum height of label is 4 mm or more
- Label drawing software CODESOFT compatible
- Easy generation of 2-dimensional code such as QR code
- With Windows Vista, Windows7, 8, 8.1, 10 compatible printer drivers

CODESOFT

Low cost, Compact Printer BBP12



- Low cost and compact thermal transfer printer.
- Available to carry-on with light weight (2.3kg)
- 300 dpi printing head mounted
- Special discounted price available with set purchasing with Label drawing software CODESOFT.
- With Windows Vista, Windows7, 8, 8.1, 10 compatible printer drivers

Main specifications

Model	BBP12
Print Resolution	300dpi
Max. Base Sheet Width	118mm
Max. Print Width	105.6mm
Min. Label Length	10mm (Please contact us for less than it)
Max. Label Outer Diameter	127mm (203.2mm when using external holder)

CODESOFT

Label for thermal transfer printer

Heat-resistant proof polyimide label (before re-flow)



STATINIX

Static charge countermeasure polyimide label "STATINIX" NIX original labels are most suitable for automated attaching with label feeder cassette. Various types of polyimide label are available to recommend in accordance with application.

Base Material Type Code	Color	Applicable Temperature (5 minutes)	Label Total Thickness
STATINIX	Matte white	-70°C - 260°C	0.094 mm
B728	Matte white	-70°C - 260°C	0.111 mm
B416	Gloss white	-70°C - 230°C *	0.076 mm
B729	Matte white	-70°C - 260°C	0.086 mm
B724	Matte amber	-70°C - 280°C	0.111 mm

*Applicable temperatures will be up to 270°C in the case of 80 seconds.

Heat endurance test



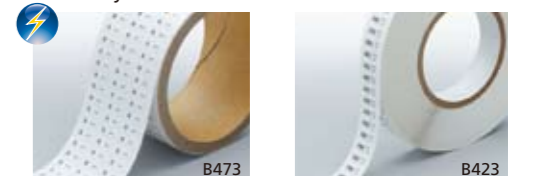
Polyimide STATINIX
 Top: Pre-reflow
 Bottom: Post-reflow; No change



Polyester B423
 Top: Pre-reflow
 Bottom: Post-reflow; Shrunken

Non heat-resistant proof label (post reflow)

Labels are most suitable for attaching after reflow. Labels in accordance with application are available to recommend such as static electricity countermeasure label.



Base Material Type Code	Applicable Temperature (30 days)	Label Total Thickness
B473	-40°C - 120°C	0.087 mm
B423	-70°C - 110°C	0.076 mm
B459	-40°C - 100°C	0.079 mm